

TANGRAM – CUT 4281

PROJECT PROJÉT
SPEC TYPE
NOTES



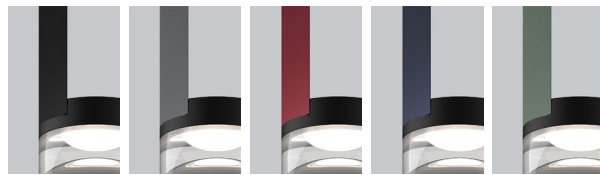
DIFFUSER FINISH FINI DIFFUSEUR



CFR

FRO

STRAP FINISH FINI DE LA STRAP



BLKS

SGS

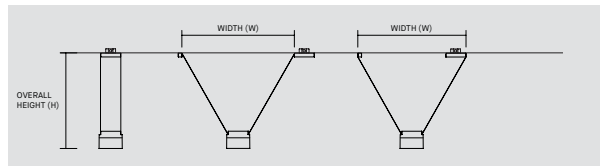
PNS

OBS

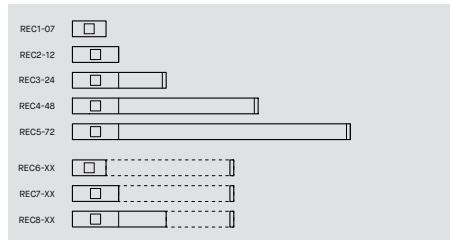
BGS

WIDTH & OVERALL HEIGHT REFERENCE

RÉFÉRENCE POUR LA LARGEUR ET LA HAUTEUR HORS-TOUT



MOUNTING OPTIONS OPTIONS DE MONTAGE



PRODUCT CHARACTERISTICS CARACTÉRISTIQUES DU PRODUIT



3.5"
(89mm)
x 3.5"
(89mm)

ORDERING SPECIFICATION SPÉCIFICATION DE COMMANDE

CODE

MODEL MODÈLE

(WITHOUT SPACER)

4281 TANGRAM - CUT

(WITH SPACER, PLEASE SEE CONFIGURATION PAGE)

4281-P01

TANGRAM - CUT WITH ONE 24" SPACER

4281-P02

TANGRAM - CUT WITH TWO 24" SPACERS

4281-P03

TANGRAM - CUT WITH TWO SPACERS, ONE 48" & ONE 7"

4281-P04

TANGRAM - CUT WITH ONE 7" SPACER

4281-P05

TANGRAM - CUT WITH ONE 48" SPACER

4281-P06

TANGRAM - CUT WITH ONE 48" SPACER

4281-P07

TANGRAM - CUT WITH ONE 24" SPACER

4281-P08

TANGRAM - CUT WITH TWO SPACERS, ONE 24" & ONE 7"

4281-P09

TANGRAM - CUT WITH TWO SPACERS, ONE 7" & ONE 24"

4281-P10*

TANGRAM - CUT, TWO FIXTURES, ONE CANOPY & TWO ANCHORS

4281-P11*

TANGRAM - CUT, FIVE FIXTURES, FOUR CANOPIES & TWO ANCHORS

4281-P12*

TANGRAM - CUT, THREE FIXTURES, THREE SPACERS, TWO CANOPIES & TWO ANCHORS

* ONLY AVAILABLE WITH REC6, REC7 & REC8 MOUNTING OPTIONS

LIGHT SOURCE SOURCE LUMINEUSE

LED.LO

LOW OUTPUT

LED

REGULAR OUTPUT

LED.HO

HIGH OUTPUT

COLOR TEMPERATURE TEMPÉRATURE DE COULEUR

27

2700K

30

3000K

35

3500K

40*

4000K

* LONGER LEAD TIME MAY APPLY, PLEASE CONTACT YOUR EUREKA REPRESENTATIVE

COLOR RENDERING INDEX (CRI) INDICE DE RENDU DE COULEUR (IRC)

90

90+ CRI

VOLTAGE VOLTAGE

120V

120 VOLT

277V

277 VOLT

CONTROL OPTION OPTION DE CONTRÔLE

DV

0-10V DIMMING (120V-277V)

DP

PHASE DIMMING (120V ONLY)

NLTAIR2

NLIGHT AIR CONTROL GEN 2 (NOT AVAILABLE WITH REC1 & REC6 CANOPIES)

NLIGHT

NLIGHT WIRED CONTROL (NOT AVAILABLE WITH REC1 & REC6 CANOPIES)

EMERGENCY BATTERY BATTERIE D'URGENCE

EM DRIVER BOX INCLUDED, INSTALLED REMOTELY. SEE EM GUIDE FOR DETAILS.

EMB *

EMERGENCY BATTERY FOR REMOTE BOX

* 3981EA ACCESSORY IS REQUIRED FOR THIS OPTION

MOUNTING MONTAGE

WITHOUT ANCHOR (FIXED WIDTH)

REC1-07

7" RECTANGULAR CANOPY

REC2-12

12" RECTANGULAR CANOPY

REC3-24

24" RECTANGULAR CANOPY

REC4-48

48" RECTANGULAR CANOPY

REC5-72

72" RECTANGULAR CANOPY

WITH ANCHOR (CUSTOM WIDTH)

REC6-XX*

7" RECTANGULAR CANOPY WITH REMOTE ANCHOR

REC7-XX*

12" RECTANGULAR CANOPY WITH REMOTE ANCHOR

REC8-XX*

24" RECTANGULAR CANOPY WITH REMOTE ANCHOR (ONLY FOR P10, P11 & P12 TANGRAM MODELS)

* SPECIFY DISTANCE BETWEEN STRAPS (W), AT CEILING. PLEASE REFER TO ILLUSTRATION BELOW. FOR P10, P11 & P12 MODELS, SPECIFY THE TOTAL DISTANCE.

OVERALL HEIGHT HAUTEUR HORS TOUT

XX*

OVERALL HEIGHT

* SPECIFY OVERALL HEIGHT (H), FROM BOTTOM OF THE FIXTURE TO CEILING, IN INCHES.

CANOPY FINISH FINI DU PAVILLON

BLKE

BLACK FINE TEXTURE

WHE

WHITE FINE TEXTURE

XX*

CUSTOM RAL COLOR

* SPECIFY 4 DIGIT RAL CLASSIC CODE. LONGER LEAD TIME MAY APPLY. PLEASE CONTACT YOUR EUREKA REPRESENTATIVE.

STRAP FINISH FINI DE LA SANGLE

BLKS

BLACK STRAP

SGS

SILVERGRAY STRAP

PNS

PINOT STRAP

OBS

OCEAN BLUE STRAP

BGS

BRITISH RACING GREEN STRAP

FIXTURE FINISH FINI DU LUMINAIRE

BLKE

BLACK FINE TEXTURE

WHE

WHITE FINE TEXTURE

XX*

CUSTOM RAL COLOR

SPACERS WILL HAVE THE SAME FINISH AS THE FIXTURE

* SPECIFY 4 DIGIT RAL CLASSIC CODE. LONGER LEAD TIME MAY APPLY. PLEASE CONTACT YOUR EUREKA REPRESENTATIVE.

DIFFUSER FINISH FINI DIFFUSEUR

CFR

CLEAR-FROSTED GLASS

FRO

FROSTED GLASS

ACCESSORY EMERGENCY BATTERY ACCESSOIRE BATTERIE D'URGENCE

3981EA

ELECTRICAL BOX FOR EMB EMERGENCY BATTERY

39NLAA*

NLIGHT AIR GEN 2 REMOTE POWER PACK

39NLWA*

NLIGHT WIRED REMOTE POWER PACK

* FOR CHICAGO PLENUM INSTALLATION, PLEASE CONTACT YOUR EUREKA REPRESENTATIVE.



SPECIFICATION

TANGRAM – CUT 4281 - WHITE TUNING

PROJECT PROJÉT
SPEC TYPE
NOTES

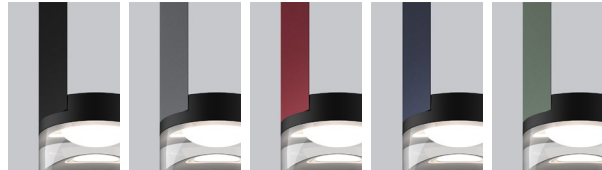


OPTICAL ACCESS/DIFFUSER FINISH FINI DIFFUSEUR



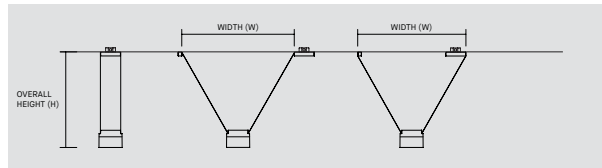
CFR FRO

STRAP FINISH FINI DE LA SANGLE

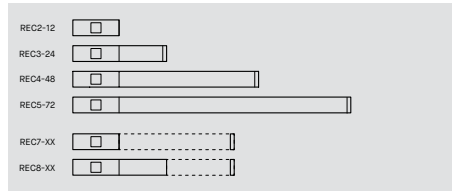


BLKS SGS PNS OBS BGS

WIDTH & OVERALL HEIGHT REFERENCE RÉFÉRENCE POUR LA LARGEUR ET LA HAUTEUR HORS-TOUT



MOUNTING OPTIONS OPTIONS DE MONTAGE



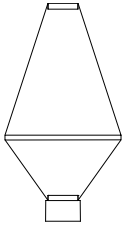
ORDERING SPECIFICATION	SPÉCIFICATION DE COMMANDE	CODE
MODEL MODÈLE		
(WITHOUT SPACER)		
4281	TANGRAM - CUT	
(WITH SPACER, PLEASE SEE CONFIGURATION PAGE)		
4281-P01	TANGRAM - CUT WITH ONE 24" SPACER	
4281-P02	TANGRAM - CUT WITH TWO 24" SPACERS	
4281-P03	TANGRAM - CUT WITH TWO SPACERS, ONE 48" & ONE 7"	
4281-P04	TANGRAM - CUT WITH ONE 7" SPACER	
4281-P05	TANGRAM - CUT WITH ONE 48" SPACER	
4281-P06	TANGRAM - CUT WITH ONE 48" SPACER	
4281-P07	TANGRAM - CUT WITH ONE 24" SPACER	
4281-P08	TANGRAM - CUT WITH TWO SPACERS, ONE 24" & ONE 7"	
4281-P09	TANGRAM - CUT WITH TWO SPACERS, ONE 7" & ONE 24"	
4281-P10*	TANGRAM - CUT, TWO FIXTURES, ONE CANOPY & TWO ANCHORS	
4281-P11*	TANGRAM - CUT, FIVE FIXTURES, FOUR CANOPIES & TWO ANCHORS	
4281-P12*	TANGRAM - CUT, THREE FIXTURES, THREE SPACERS, TWO CANOPIES & TWO ANCHORS	
* ONLY AVAILABLE WITH REC7 & REC8 MOUNTING OPTIONS		
LIGHT SOURCE SOURCE LUMINEUSE		
LED	REGULAR OUTPUT	LED
COLOR TEMPERATURE TEMPÉRATURE DE COULEUR		
TW*	TUNABLE WHITE (2700K TO 5000K)	TW
* LONGER LEAD TIME MAY APPLY, PLEASE CONTACT YOUR EUREKA REPRESENTATIVE		
COLOR RENDERING INDEX (CRI) INDICE DE RENDU DE COULEUR (IRC)		
90	90+ CRI	90
VOLTAGE VOLTAGE		
120V	120 VOLT	
277V	277 VOLT	
CONTROL OPTION OPTION DE CONTRÔLE		
DDV	DUAL 0-10V DIMMING	
NLT	NLIGHT NTUNE CONTROL	
MOUNTING MONTAGE		
WITHOUT ANCHOR (FIXED WIDTH)		
REC2-12	12" RECTANGULAR CANOPY	
REC3-24	24" RECTANGULAR CANOPY	
REC4-48	48" RECTANGULAR CANOPY	
REC5-72	72" RECTANGULAR CANOPY	
WITH ANCHOR (CUSTOM WIDTH)		
REC7-XX*	12" RECTANGULAR CANOPY WITH REMOTE ANCHOR	
REC8-XX*	24" RECTANGULAR CANOPY WITH REMOTE ANCHOR (ONLY FOR P10, P11 & P12 TANGRAM MODELS)	
* SPECIFY DISTANCE BETWEEN STRAPS (W), AT CEILING, PLEASE REFER TO ILLUSTRATION BELOW. FOR P10, P11 & P12 MODELS, SPECIFY THE TOTAL DISTANCE.		
OVERALL HEIGHT HAUTEUR HORS TOUT		
XX*	OVERALL HEIGHT	
* SPECIFY OVERALL HEIGHT (H), FROM BOTTOM OF THE FIXTURE TO CEILING, IN INCHES.		
CANOPY FINISH FINI DU PAVILLON		
BLKE	BLACK FINE TEXTURE	
WHE	WHITE FINE TEXTURE	
XX*	CUSTOM RAL COLOR	
* SPECIFY 4 DIGIT RAL CLASSIC CODE. LONGER LEAD TIME MAY APPLY, PLEASE CONTACT YOUR EUREKA REPRESENTATIVE.		
STRAP FINISH FINI DE LA SANGLE		
BLKS	BLACK STRAP	
SGS	SILVERGRAY STRAP	
PNS	PINOT STRAP	
OBS	OCEAN BLUE STRAP	
BGS	BRITISH RACING GREEN STRAP	
FIXTURE FINISH FINI DU LUMINAIRE		
BLKE	BLACK FINE TEXTURE	
WHE	WHITE FINE TEXTURE	
XX*	CUSTOM RAL COLOR	
SPACERS WILL HAVE THE SAME FINISH AS THE FIXTURE		
* SPECIFY 4 DIGIT RAL CLASSIC CODE. LONGER LEAD TIME MAY APPLY, PLEASE CONTACT YOUR EUREKA REPRESENTATIVE.		
DIFFUSER FINISH FINI DIFFUSEUR		
CFR	CLEAR-FROSTED GLASS	
FRO	FROSTED GLASS	

PRODUCT CHARACTERISTICS CARACTÉRISTIQUES DU PRODUIT

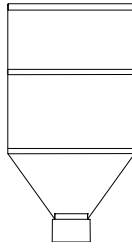


TANGRAM – CUT 4281

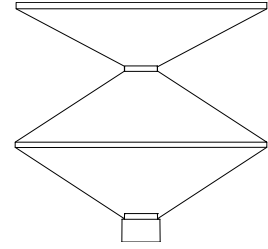
ALL CONFIGURATIONS BELOW ARE SHOWN WITH AN 60" OVERALL HEIGHT.



428X-P01
ONE 24" SPACER AT THE FIRST THIRD THE TOTAL HEIGHT
SHOWN WITH A REC1-07 CANOPY.



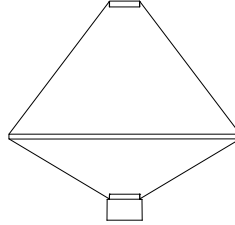
428X-P02
TWO 24" SPACERS AT EACH THIRD OF THE TOTAL HEIGHT.
SHOWN WITH A REC3-24 CANOPY.



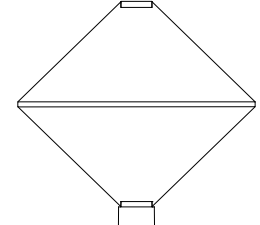
428X-P03
ONE 48" SPACER AT THE FIRST THIRD AND ONE 7" SPACER AT
THE SECOND THIRD.
SHOWN WITH A REC4-48 CANOPY.



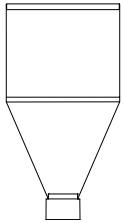
428X-P04
ONE 7" SPACER AT THE FIRST THIRD OF THE TOTAL HEIGHT.
SHOWN WITH A REC1-07 CANOPY.



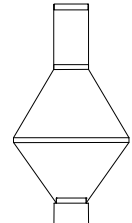
428X-P05
ONE 48" SPACER AT THE FIRST THIRD OF THE TOTAL HEIGHT.
SHOWN WITH A REC1-07 CANOPY.



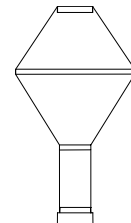
428X-P06
ONE 48" SPACER AT THE MIDDLE OF THE TOTAL HEIGHT.
SHOWN WITH A REC1-07 CANOPY.



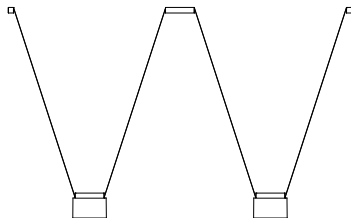
428X-P07
ONE 24" SPACER AT THE MIDDLE OF THE TOTAL HEIGHT.
SHOWN WITH A REC3-24 CANOPY.



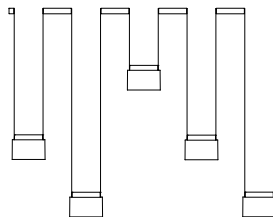
428X-P08
ONE 24" SPACER AT THE FIRST THIRD AND ONE
7" SPACER AT THE SECOND THIRD.
SHOWN WITH A REC1-07 CANOPY.



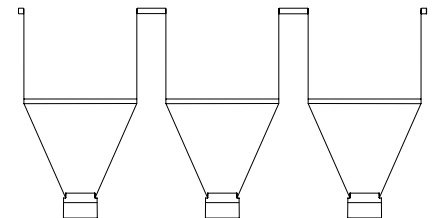
428X-P09
ONE 7" SPACER AT THE FIRST THIRD AND ONE 24" SPACER AT
THE SECOND THIRD.
SHOWN WITH A REC1-07 CANOPY.



428X-P10
TWO FIXTURES WITH TWO ANCHORS.
SHOWN WITH A REC6-XX CANOPY.



428X-P11
FIVE FIXTURES WITH TWO ANCHORS.
SHOWN WITH A REC6-XX CANOPY.



428X-P12
THREE FIXTURES WITH THREE SPACERS, EACH AT THE MIDDLE
OF THE TOTAL HEIGHT, AND TWO ANCHORS.
SHOWN WITH A REC6-XX CANOPY.

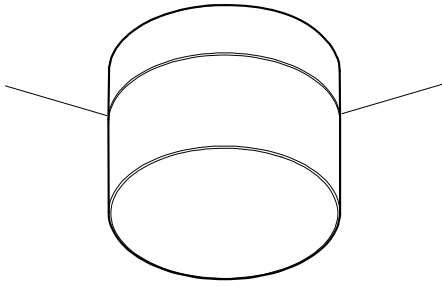
CUSTOM CONFIGURATIONS

FOR CUSTOM CONFIGURATIONS, SIMPLY CONTACT THE FACTORY AND WE WILL BE PLEASED TO DISCUSS YOUR DESIGN REQUIREMENTS.

TANGRAM CUT - 4281 & 4581

SURFACE OPTION

Tangram-Cut can also be installed on a ceiling by the means of a concealed surface mount system.



SPACER

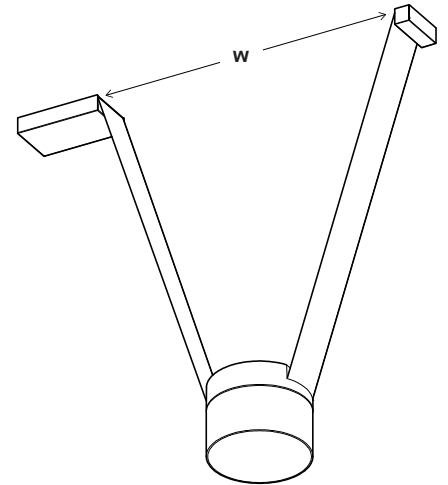
(Optional) A pre-installed and field adjustable spacer is available in 4 different sizes. Choose among 12 preconfigured options using the spacer to amplify the geometry of the luminaire.

STRAP SUSPENSION

Fixture is suspended by two high quality UV resistant straps housing an imperceptible flat power cable. Available in 5 eye-catching colors.

CUSTOM WIDTH

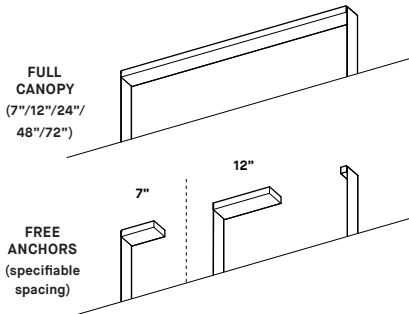
Canopy and anchor distance can be specified to create a variety of strap angles. They can be positioned inside or outside as desired.



HIGH POWERED LED

A single 90 CRI COB light engine creates a powerful illumination delivering up to 2500 lumens.

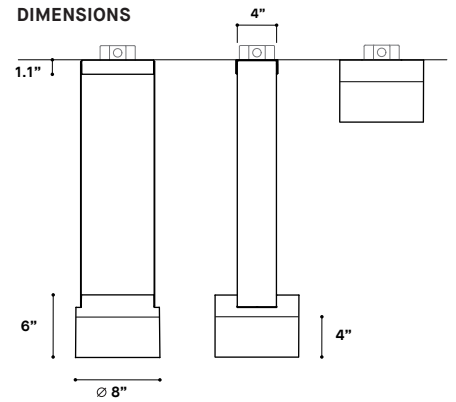
SUSPENDED MOUNTING OPTIONS



GLASS DIFFUSER

This solid UV resistant and crystal grade glass piece comes with a clear finish for a jewel-like effect, or with a frosted exterior creating a softer, mysterious light.

DIMENSIONS



PRODUCT SPECIFICATION

CLEAR-FROSTED GLASS (CFR)

FROSTED GLASS (FRO)

PERFORMANCE

	LOW	REG	HO	TW	LOW	REG	HO	TW
SYSTEM WATTAGE	13.9 W	20.1 W	31.0 W	15.3 W	13.9 W	20.1 W	31.0 W	15.3 W
DELIVERED LUMENS (4000K - WHE)	1216 LM	1681 LM	2477 LM	1075 LM	1264 LM	1747 LM	2500 LM	1117 LM
EFFICACY	88 LM/W	83 LM/W	80 LM/W	70 LM/W	91 LM/W	87 LM/W	81 LM/W	73 LM/W

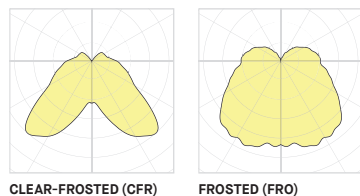
OTHER INFORMATION

LUMINAIRE'S WEIGHT	25 LBS / 11 KG	25 LBS / 11 KG
L70 (LUMEN MAINTENANCE) LO/REG/HO	> 60 000 HRS	> 60 000 HRS
LIGHT QUALITY STATIC/TW	R9 > 70 / R9 > 50	R9 > 70 / R9 > 50

EFFICACY MULTIPLIERS

CCT	FACTOR	TW FACTOR
5000K	-	0.93
4000K	1.00	1.00
3500K	0.97	0.99
3000K	0.93	0.98
2700K	0.89	0.91

LIGHT DISTRIBUTION



Polyester straps comply with the horizontal burning flame test of Clause 17.25 CSA C22.2 No. 250.0:21 / UL 1598 5th Ed / NMX-J-307/1-ANCE Fourth Edition.



Visit our website for warranty terms and conditions.

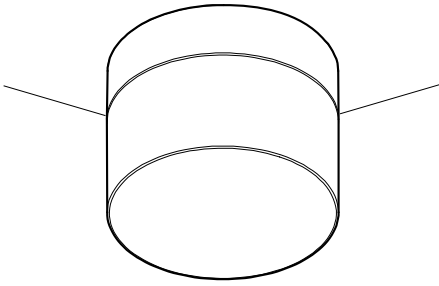


TECHNICAL DATA

TANGRAM CUT - 4281 & 4581

OPTION SURFACE

Tangram-Cut peut également être installé au plafond à l'aide de son système de montage dissimulé.



MEMBRURE D'ESPACEMENT

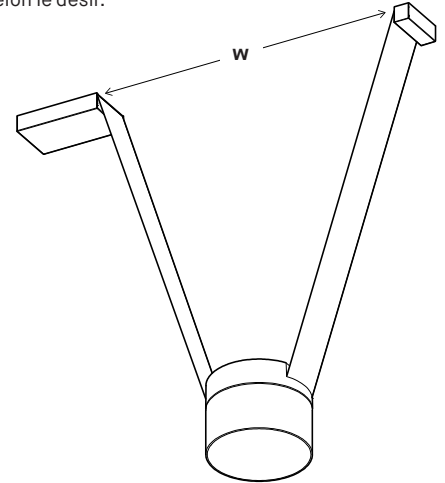
(Optionnel) Une membrure pré-installée et ajustable sur place est disponible en 4 longueurs. Choisissez parmi 12 pré-configurations avec membrures pour accentuer la géométrie du luminaire.

SANGLES DE SUSPENSION

Le luminaire est suspendu par deux sangles de qualité supérieure à résistance UV abritant un câble plat imperceptible. Disponible en 5 couleurs.

LARGEUR PERSONNALISABLE

La distance entre le pavillon et l'ancrage peut être spécifiée afin de créer une variété d'angles. Ils peuvent être positionnés à l'intérieur ou à l'extérieur selon le désir.



LED HAUTE-PUISSANCE

L'unique COB 90 CRI crée une puissante illumination générant jusqu'à 2500 lumens.

OPTIONS DE MONTAGE SUSPENDU

PAVILLON PLEINE LARGEUR
(7"/12"/24"/48"/72")

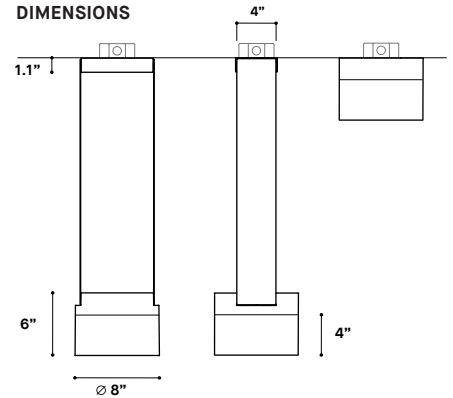
ANCRAGES LIBRES
(distance spécifiée)

7" 12"

DIFFUSEUR EN VERRE

Cette pièce de verre en cristal et à résistance UV est offerte avec un fini limpide pour une allure précieuse ou avec un extérieur givré créant une lumière douce et mystérieuse.

DIMENSIONS



SPÉCIFICATION PRODUIT

PERFORMANCE	VERRE TRANSPARENT (CFR)				VERRE GIVRÉ (FRO)			
	LOW	REG	HO	TW	LOW	REG	HO	TW
PUISSANCE TOTALE	13.9 W	20.1 W	31.0 W	15.3 W	13.9 W	20.1 W	31.0 W	15.3 W
LUMENS RÉELS (4000K - WHE)	1216 LM	1681 LM	2477 LM	1075 LM	1264 LM	1747 LM	2500 LM	1117 LM
EFFICACITÉ	88 LM/W	83 LM/W	80 LM/W	70 LM/W	91 LM/W	87 LM/W	81 LM/W	73 LM/W

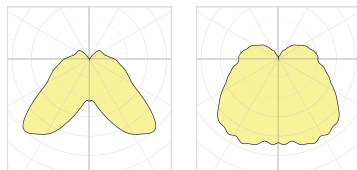
AUTRES INFORMATIONS

POIDS DU LUMINAIRE	25 LBS / 11 KG	25 LBS / 11 KG
L70 (MAINTENANCE DE LA LUMIÈRE) LO/REG/HO	> 60 000 H	> 60 000 H
QUALITÉ LUMINEUSE STATIQUE/TW	R9 > 70 / R9 > 50	R9 > 70 / R9 > 50

FACTEUR D'EFFICACITÉ

CCT	FACTOR	TW FACTOR
5000K	-	0.93
4000K	1.00	1.00
3500K	0.97	0.99
3000K	0.93	0.98
2700K	0.89	0.91

DISTRIBUTION LUMINEUSE



TRANSPARENT (CFR)

GIVRÉ (FRO)

Les sangles en polyester sont conformes à l'essai de flamme horizontale de la clause 17.25 CSA C22.2 No. 250.0:21 / UL 1598 5th Ed / NMX-J-307/1-ANCE Fourth Edition.



Visitez notre site Web pour les termes et conditions.

TANGRAM

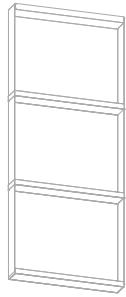
CONFIGURATION GUIDE

STEP 1 - CHOOSE YOUR FIXTURE

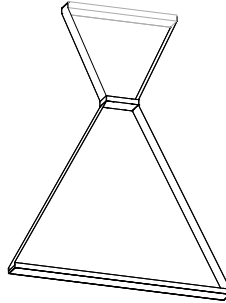
Choose among a variety of 9 preconfigurations. Refer to specification sheet to view all available options.



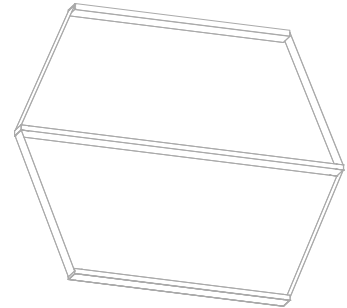
74280-24



74280-L02



74280-L04

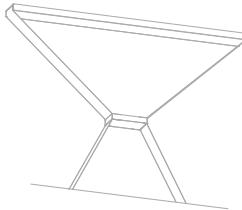
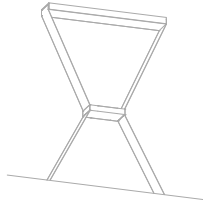
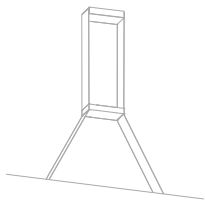


74280-L06



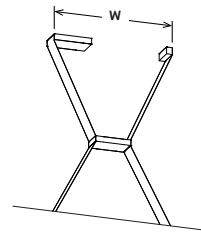
STEP 2 - CHOOSE YOUR MOUNTING OPTION AND OVERALL WIDTH (W)

Change the look of your fixture by selecting a different mounting option and customizing the width between the anchors for distinct strap angles.



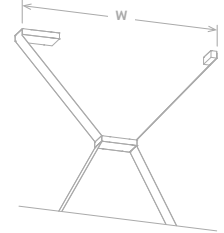
FULL LENGTH CANOPY
FIXED WIDTH

OR



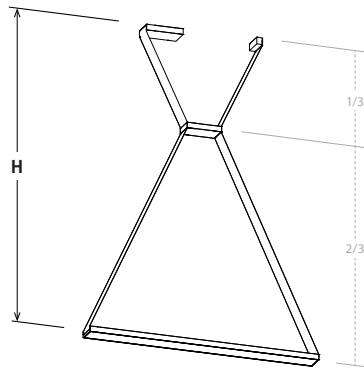
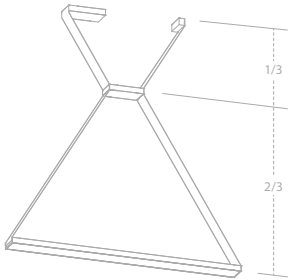
W = 24"

CANOPY WITH ANCHOR
SPECIFY OVERALL WIDTH (W)

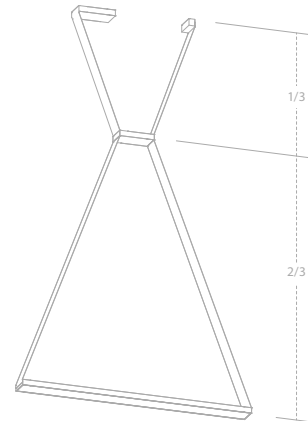


STEP 3 - SPECIFY OVERALL HEIGHT

Specify the overall height from the bottom of the fixture to the ceiling preserving the same component height proportions.



H = 66"



Strap Material Color Options



Eureka Code	BGS British Racing Green	BLKS Black	OBS Ocean Blue	PNS Pinot	SGS Silver Gray
Pantone Color Match	17-6212	Standard Black	19-4029	19-1930	20-0009
SUGGESTED COMBINATIONS					
Eureka Finish Combo	PGE*	BLKE	NBE	N/A	LGE*
RAL K7 Combo	6011*	9004	5003	3011*	7046*
Eureka Felt Combo	DTF Deep Teal Green*	BBF Black	OBF Ocean Blue	PNF Pinot Noir	TGF Titanium Gray

*Tone-on-tone combo

- Colors shown for visual reference only. To visualize finishes properly, use appropriate Pantone color chart, RAL color chart or felt samples.
- Due to the dye process, colors may vary slightly from batch to batch.
- Consult your sales representative or factory to get a sample.